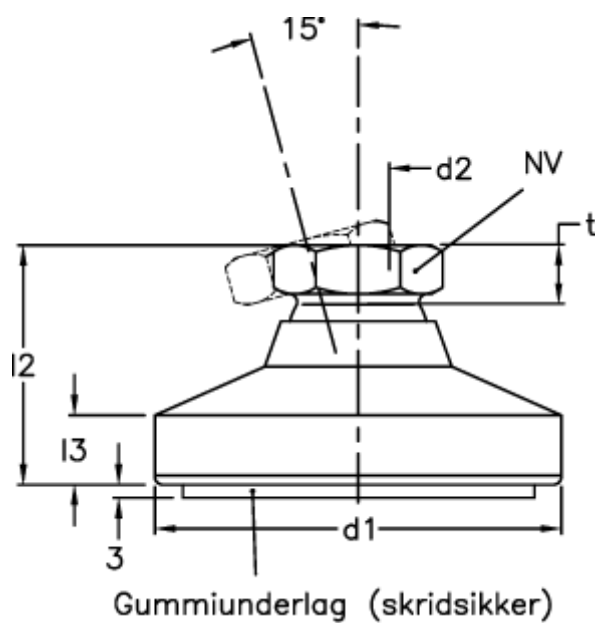


Article number: 20958460

Description: E+G Levelling foot  
GN 343.3-40-M10-G

## Measures



$d1$	= 40
$d2$	= M10
$l2$	= 25.5
$l3$	= 6.0
$NV$	= 15.0
Static load (N)	= 10000
$t$ min	= 10.5